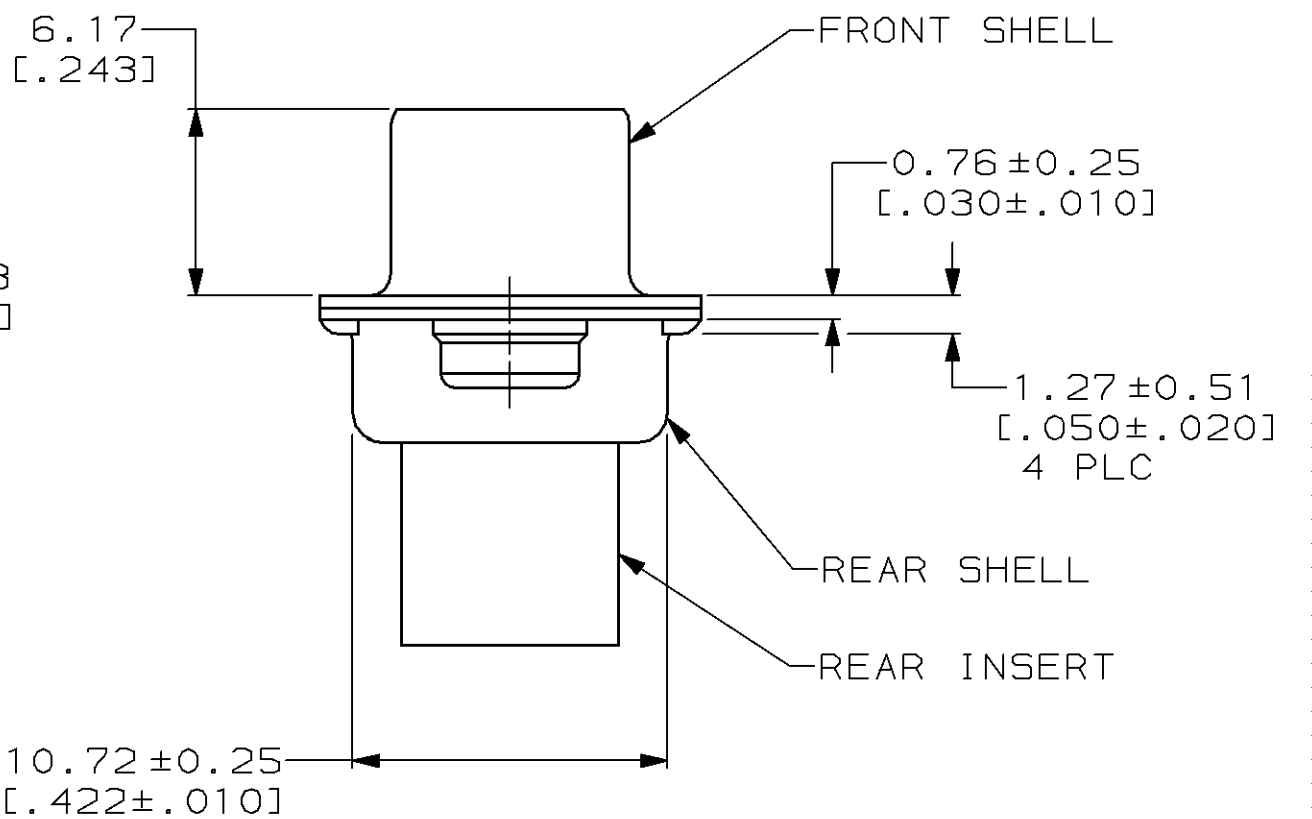
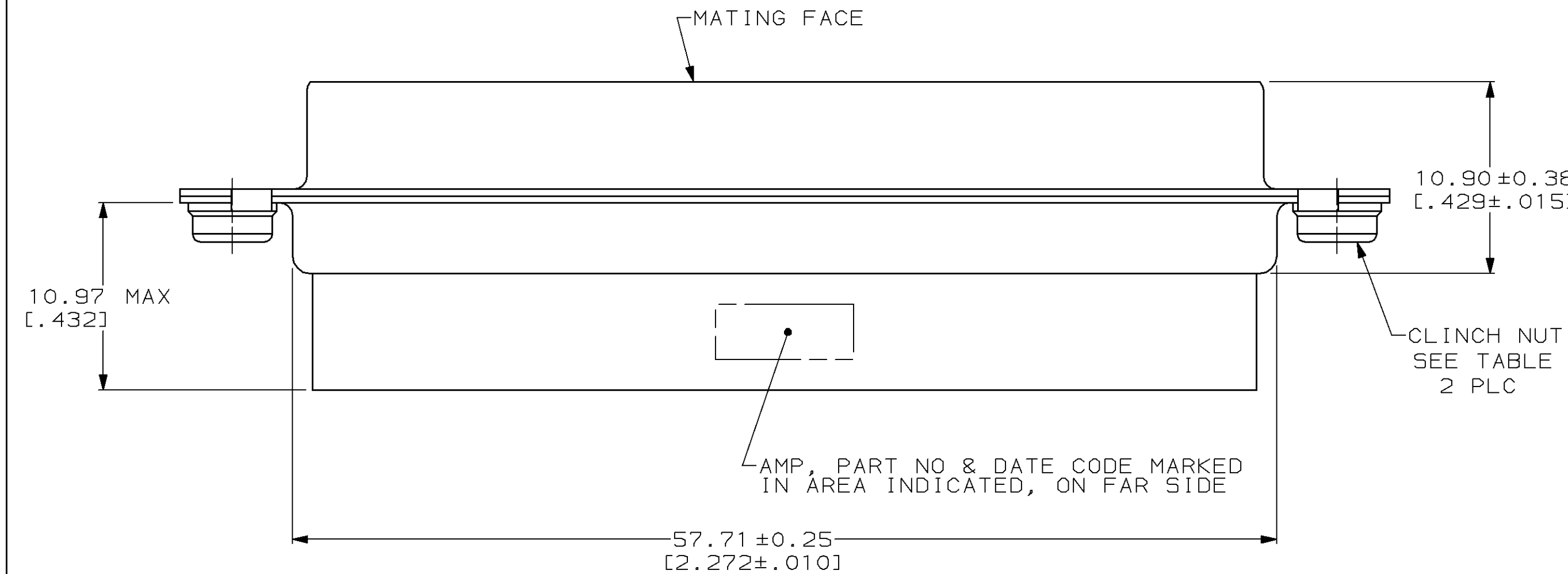
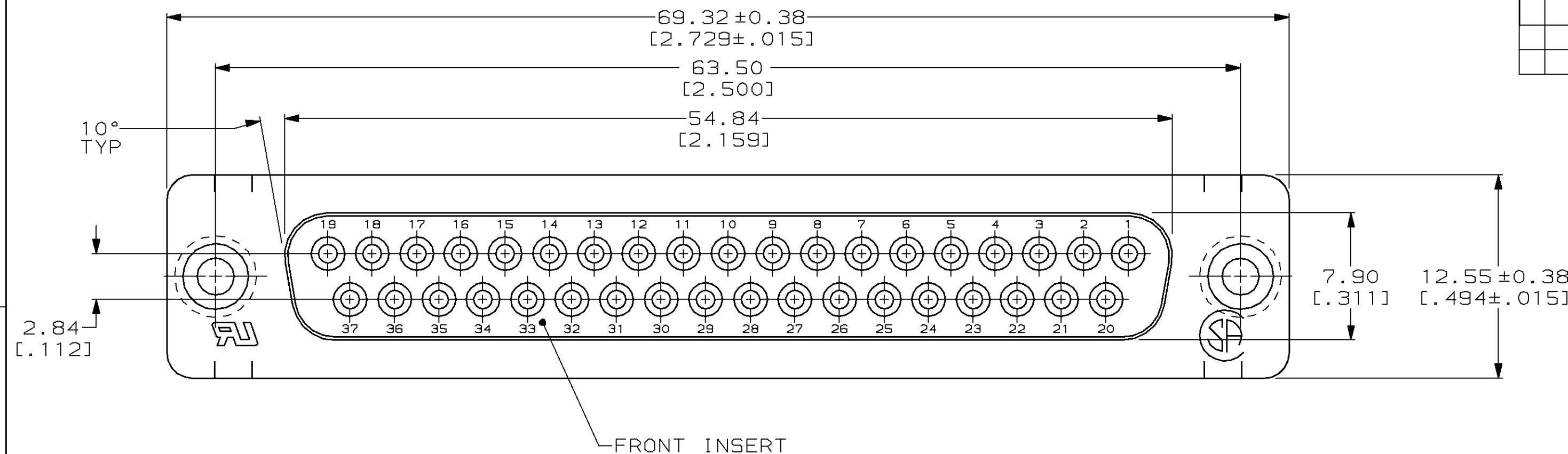


LOC		DIST		REVISIONS			
P	F	ZONE	LTR	DESCRIPTION	DATE	APPD	
BD	48		B	REDRAWN, ADDED -4 PER NPR 3518, REVISED PER ECN BD5132	5-14-91	-	
			C	OBS -1 PER ECN BD6177	06/17/92	TS	
			D	OBS -4 PER EC 0020-724-95	08 MAR 96	JCS	



- CONNECTOR ACCEPTS SIZE 20 DF SOCKET CONTACTS, RETENTION TINES ARE AN INTEGRAL PART OF INSERT.
- NYLON OR POLYESTER, UL 94V-0 RATED, BLACK.
- CARBON STEEL PER ASTM A109.
- 5.08 μm [0.000200] MIN TIN OVER 2.54 μm [0.000100] MIN COPPER.
- .068 MAX DIA WIRE INSULATION SIZE IS RECOMMENDED FOR USE WITH THIS RECEPTACLE.
- CLEAR CHROMATE OVER ZINC.
- YELLOW CHROMATE OVER ZINC.
- 5.08 μm [0.000200] MIN ZINC, YELLOW CHROMATE.
- TIN PLATING PER MIL-T-10727; COPPER PLATING PER MIL-C-14550; ZINC PLATING PER ASTM B633, TYPE III, CLASS SCI.

OBSOLETE	4	7	M-3	207661-4
	4	6	4-40	207661-3
OBSOLETE	8	6	4-40	207661-1
	SHELL FINISH	CLINCH NUT FINISH	CLINCH NUT THREAD TYPE	PART NO

DO NOT SCALE PRINT. UNLESS SPECIFIED DIMENSIONS IN mm [INCHES] TOLERANCES ON : 2 PLC DEC ± 0.13 [0.005] 3 PLC DEC ± - ANGLES ± 2°	DR 5-14-91 W.G.LENKER	AMP INCORPORATED Harrisburg, Pa. 17105		
	CHK 5-22-91 R.STONE			
MATERIAL MOLDED PARTS: 2 CLINCH NUTS & SHELLS: 3	APPD 5-22-91 M.KAPEZYNSKI	NAME RECEPTACLE CONNECTOR, SIZE 4, 37 POSN, WITH CLINCH NUTS, AMPLIMITE ®HDP		
FINISH 9 SEE TABLE	APPD 5-22-91 J.ASSINI	SIZE C	CAGE CODE 00779	DRAWING NO 207661
	PRODUCT SPEC 108-40025	SCALE 4:1		SHEET 1 OF 1
	APPLICATION SPEC -			
	WEIGHT -			